
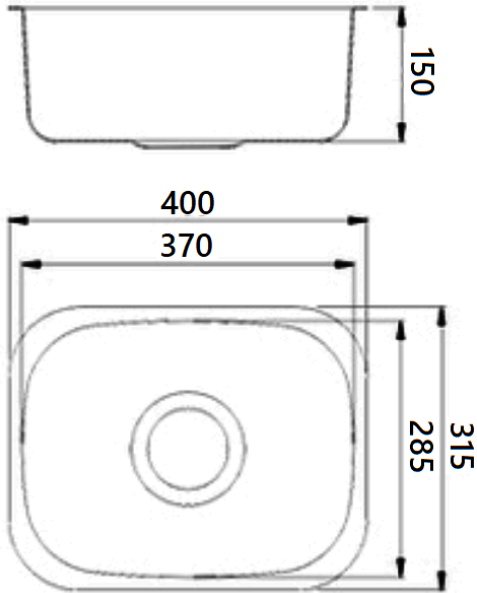




PROJECT		REF		REV	ITEM CODE	
LOCATION		DATE			PAGE	

SANITARY WARE SPECIFICATION SHEET

<p>Item Descriptions</p> <p>Dimensions</p> <p>Model</p> <p>Material</p> <p>Manufacturer</p> <p>Source</p> <p>Contact Tel/Fax</p> <p>E-mail</p> <p>Website</p>	<p>Idecor (PRC) 304 Stainless steel single bowl insert sink with waste fittings</p> <p>L400 x W315 x H150 mm (Overall) L370 x W285 x H150 mm (Bowl)</p> <p>U1502</p> <p>Stainless Steel 304</p> <p>Idecor (PRC)</p> <p>Acme Sanitary Ware Co. Ltd Mr. Eric Wong/ Mr. Don Yuen</p> <p>(852) 2388-7171 / (852) 2710-8012</p> <p>acme@acmesanitary.com.hk</p> <p>www.acmesanitary.com.hk</p>	<p style="text-align: center;">Illustration/ Drawing</p>  
<p>Product Detail :</p> <ul style="list-style-type: none"> • Model : U1502 • Size (mm) : 400 mm x 315 mm x 150 mm • Size (inch) : 12" x 16" x 6" • CUT-OUT (mm) : 376 mm x 291 mm • 304 stainless steel single bowl 		

Note:

* All information of the above is for the reference only. No prior notice is made if any changes.